

Component Description

**Inert Selector Valves
with Placement Monitor,
P/N 85-609800-00X**

Effective: November 2015
K-85-3005 Rev AA

FEATURES

- *ULC Listed and FM Approved for use with systems listed below in the Compatibility table.*

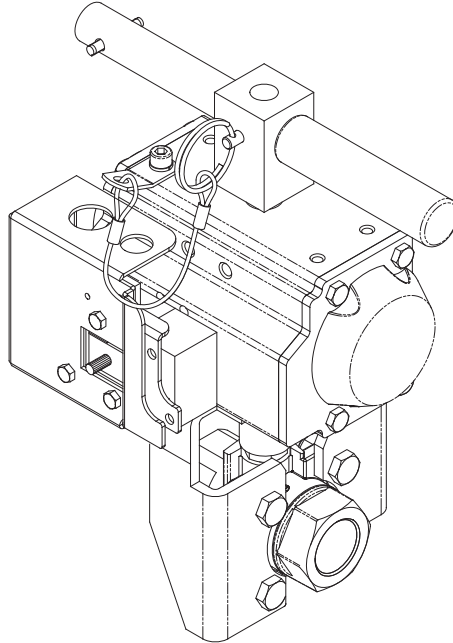


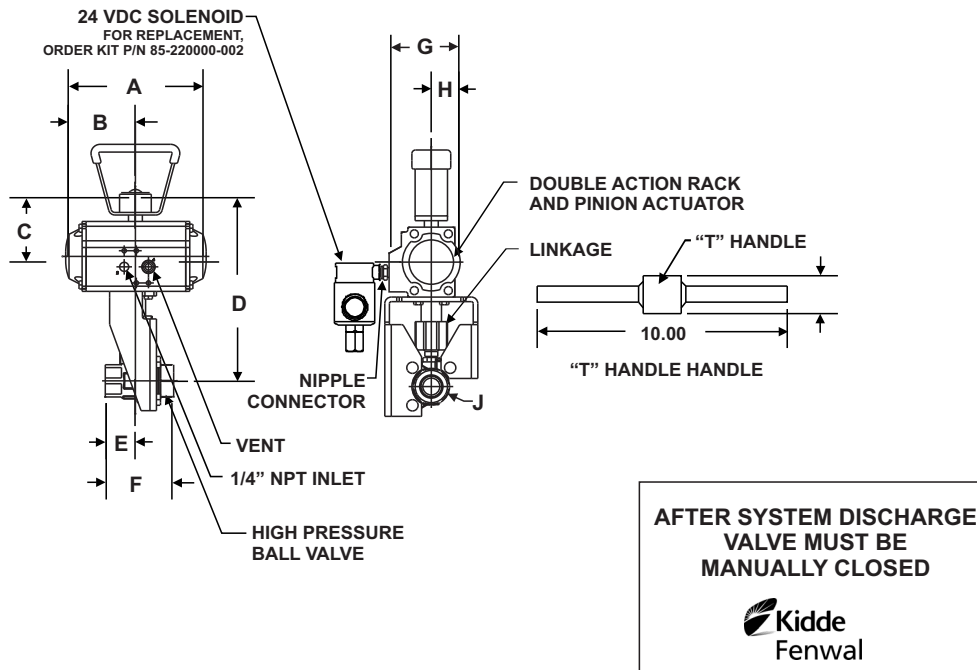
Figure 1. Figure 6-12. Selector Valve (Typical)

ORDER INFORMATION

Part Number	Description
85-609800-001	Valve Assembly, 1/2" Selector
85-609800-002	Valve Assembly, 3/4" Selector
85-609800-003	Valve Assembly, 1" Selector
85-609800-004	Valve Assembly, 1-1/4" Selector
85-609800-005	Valve Assembly, 1-1/2" Selector
85-609800-006	Valve Assembly, 2" Selector

COMPATIBILITY

Series	For Use With	DIOM P/N	Supplement P/N
Kidde Nitrogen	X	06-237459-001	06-237459-002
Kidde Argonite	X	06-236432-001	06-236432-002



**AFTER SYSTEM DISCHARGE
VALVE MUST BE
MANUALLY CLOSED**

**CLOSING INSTRUCTIONS
NAMEPLATE
P/N 38-509858-001**

Figure 2. Selector Valve Dimensions

Valve Size	Assembly Part Number	Dimensions									Nipple Connector Part Number
		A	B	C	D	E	F	G	H	J	
1/2 in.	85-609800-001	5.53	2.77	2.14	6.97	1.55	2.73	2.77	1.14	0.50	38-509813-001
3/4 in.	85-609800-002	6.24	3.12	2.46	7.29	1.92	3.50	3.27	1.42	0.88	38-509813-001
1 in.	85-609800-003	6.24	3.12	2.46	7.52	1.92	3.60	3.27	1.42	0.88	38-509813-001
1¼ in.	85-609800-004	8.24	4.14	2.80	8.65	2.10	3.93	3.72	1.67	1.00	38-509813-001
1½ in.	85-609800-005	9.74	4.87	3.05	9.35	2.47	4.55	4.18	1.95	1.25	38-509813-001
2 in.	85-609800-006	10.57	5.28	3.29	10.02	2.66	4.94	4.84	2.20	1.50	38-509814-001

Note: Selector Valve Assembly part numbers listed only include the Valve, Actuator, Solenoid Placement Monitor, and Reset Handle.

Kidde is a registered trademark of Kidde-Fenwal Inc. All other trademarks are the property of their respective owners.

This literature is provided for informational purposes only. KIDDE-FENWAL, INC. assumes no responsibility for the product's suitability for a particular application. The product must be properly applied to work correctly. If you need more information on this product, or if you have a particular problem or question, contact Kidde-Fenwal Inc.



K-85-3005 Rev AA
©2015 Kidde-Fenwal, Inc.

Kidde Fire Systems
400 Main Street
Ashland, MA 01721
Ph: 508.881.2000
Fax: 508.881.8920
www.kiddefiresystems.com