

Kidde Fire Systems

System Component Datasheet



Electric and Cable Operated Control Head Kit with Control Head Monitor

Effective: December 2018
K-85-3004 Rev AC

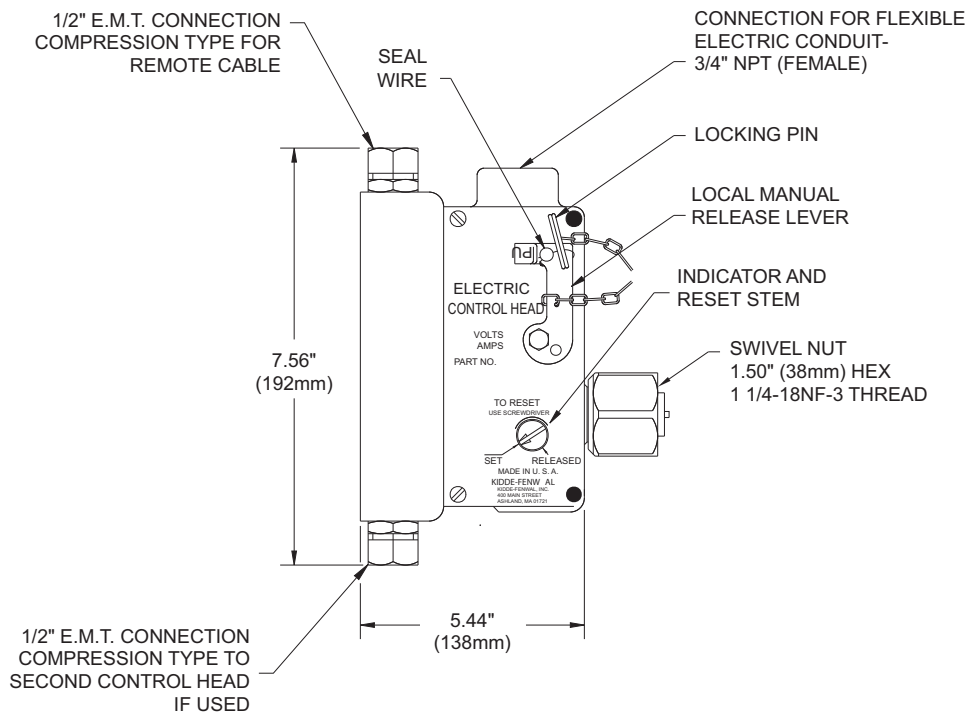
FEATURES

- UL Listed, ULC Listed, and FM Approved for use with systems listed below in the Table, "COMPATIBILITY", on page 2.

P/N: 85-895630-000

ORDER INFORMATION

Part Number	Description
85-895630-000	Kit, Includes: <ul style="list-style-type: none"> • Electrical and Cable Operated Control Head, 24 VDC, P/N: 81-895630-000 • Control Head Monitor, P/N 85-100000-100 (for more information, see data sheet K-85-3000)



MATERIAL

Body: Brass

SPECIFICATIONS

Voltage: 24 VDC

Current: 2.0A

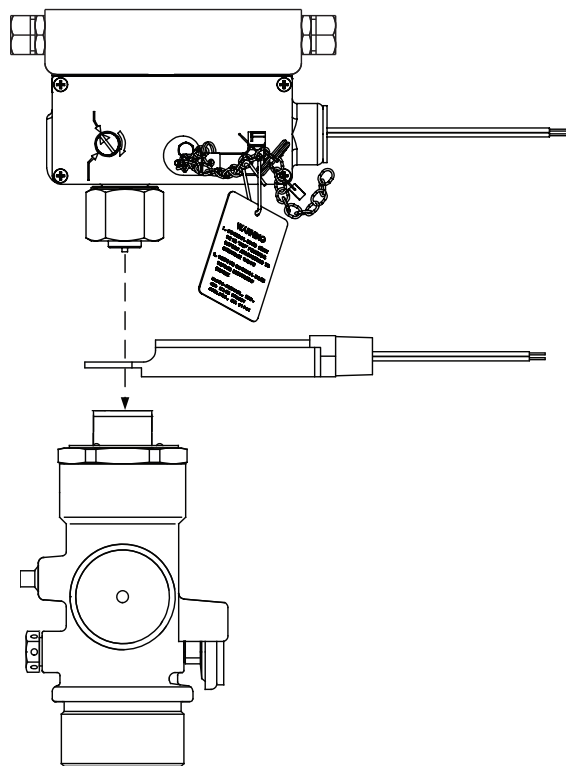


Figure 1. Electric and Cable Control Head and Control Head Monitor

COMPATIBILITY

Series	DIOM P/N	Supplement P/N
Kidde® ECS-500™ System	06-237585-001	N/A
Kidde® ECS™ with 3M™ Novec™ 1230 Fire Protection Fluid	06-236553-001	N/A
Kidde® ADS™ with 3M™ Novec™ 1230 Fire Protection Fluid	06-237256-001	N/A
Kidde® ECS™ with HFC-227ea Agent	06-236115-001	06-236115-003
Kidde® Modular ECS™ with HFC-227ea Agent	06-236116-001	06-236116-002
Kidde® ADS™ with HFC-227ea Agent	06-236068-001	06-236068-003

Note: Agency listings also apply to the Fenwal Engineered Fire Suppression Systems, when the Control Head Monitor is used on these legacy product lines.

EXPORT INFORMATION (USA)

Jurisdiction: EAR

Classification: EAR99

This document contains technical data subject to the EAR.

KIDDE is a registered trademark of Kidde-Fenwal, Inc., or its parents, subsidiaries or affiliates.

This literature is provided for informational purposes only. KIDDE-FENWAL, INC. believes this data to be accurate, but it is published and presented without any guarantee or warranty whatsoever. KIDDE-FENWAL, INC. assumes no responsibility for the product's suitability for a particular application. Product features specified are only applicable when the fire suppression system is correctly designed, installed, maintained and serviced by trained, authorized Kidde Fire Systems distributors as per the applicable design, installation, operation, and maintenance manuals. If you need more information on this product, or if you have a particular problem or question, contact: KIDDE-FENWAL, INC., Ashland, MA 01721 USA, Telephone: (508) 881-2000.