

Kidde Fire Systems System Component Datasheet



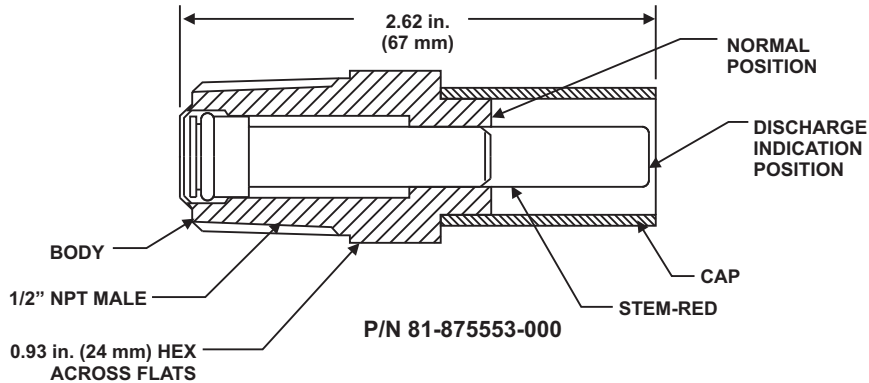
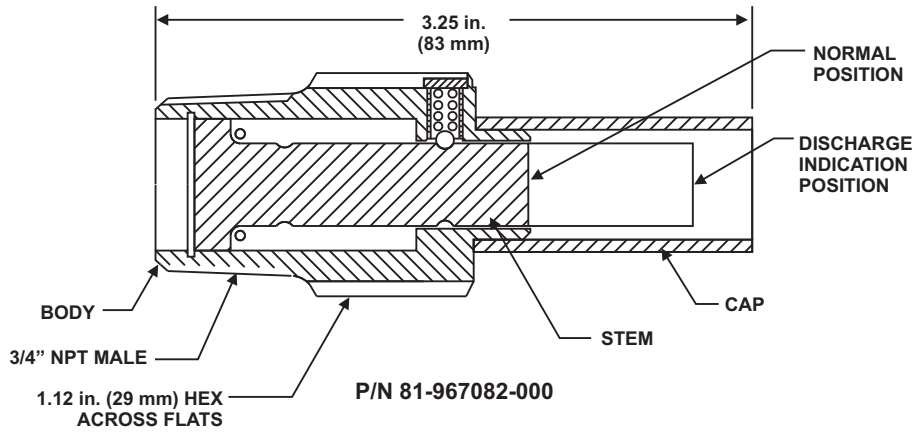
Effective: December 2018
K-85-0527 Rev AB

Discharge Indicators

FEATURES

- For Approvals, see the "COMPATIBILITY" table on page 2.

P/N: 81-967082-000 AND 81-875553-000



MATERIALS

- Valve Body: Brass
- Gasket: Iron
- Flanges, Bolts, and Nuts: Steel

ORDER INFORMATION

| Part Number | Size | Description |
|---------------|---------|-------------|
| 81-967082-000 | 3/4 in. | Brass |
| 81-875553-000 | 1/2 in. | Aluminum |

COMPATIBILITY

| Series | DIOM P/N | Approvals |
|---------------------------------------------------------------|---------------|---------------|
| Kidde® ECS-500™ System | 06-237585-001 | UL, ULC, FM |
| Kidde® ECS-500™ Marine System | 06-237589-001 | UL, ULC, USCG |
| Kidde® ECS™ with 3M™ Novec™ 1230 Fire Protection Fluid | 06-236553-001 | UL, ULC, FM |
| Kidde® ADS™ with 3M™ Novec™ 1230 Fire Protection Fluid | 06-237256-001 | UL, ULC, FM |
| Kidde® ECS™ Marine with 3M™ Novec™ 1230 Fire Protection Fluid | 06-236559-001 | UL, ULC, USCG |
| Kidde® ADS™ Marine with 3M™ Novec™ 1230 Fire Protection Fluid | 06-237257-001 | UL, ULC, USCG |
| Kidde® ECS™ with HFC-227ea Agent | 06-236115-001 | UL, ULC, FM |
| Kidde® Modular ECS™ with HFC-227ea Agent | 06-236116-001 | UL, ULC, FM |
| Kidde® ECS™ Marine with HFC-227ea Agent | 06-236225-001 | UL, USCG |
| Kidde® ADS™ Marine with HFC-227ea Agent | 06-236595-001 | UL, ULC, USCG |
| Kidde® ADS™ with HFC-227ea Agent | 06-236068-001 | UL, ULC, FM |
| Kidde® FE-13™ Engineered Suppression System | 06-236169-002 | UL |
| Kidde Fire Systems Marine Carbon Dioxide Version 2.4 DIOM | 220610 | UL, USCG |
| Kidde® High Pressure CO ₂ | 81-CO2MAN-001 | UL, ULC, FM |

EXPORT INFORMATION (USA)

Jurisdiction: EAR

Classification: EAR99

This document contains technical data subject to the EAR.

KIDDE is a registered trademark of Kidde-Fenwal, Inc., or its parents, subsidiaries or affiliates.

This literature is provided for informational purposes only. KIDDE-FENWAL, INC. believes this data to be accurate, but it is published and presented without any guarantee or warranty whatsoever. KIDDE-FENWAL, INC. assumes no responsibility for the product's suitability for a particular application. Product features specified are only applicable when the fire suppression system is correctly designed, installed, maintained and serviced by trained, authorized Kidde Fire Systems distributors as per the applicable design, installation, operation, and maintenance manuals. If you need more information on this product, or if you have a particular problem or question, contact: KIDDE-FENWAL, INC., Ashland, MA 01721 USA, Telephone: (508) 881-2000.