

Kidde Fire Systems

System Component Datasheet



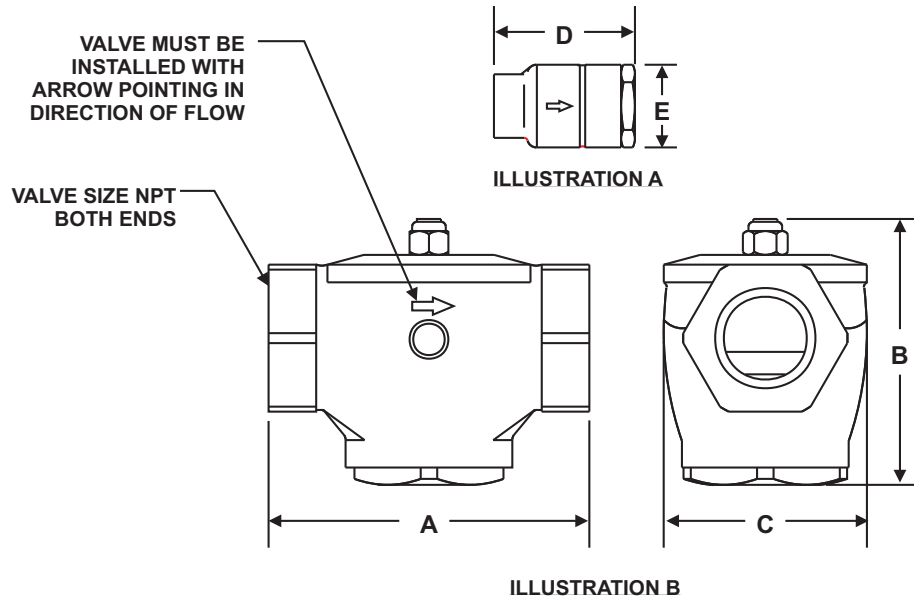
Effective: December 2018
K-85-0522 Rev AB

Check Valves, 1/2 in. Through 2 in.

FEATURES

- For Approvals, see the "COMPATIBILITY" table on page 2.

P/Ns: 81-800327-000, 81-800266-000, WK-800443-000, 81-800444-000, 81-870151-000, and 81-870152-000



MATERIAL

- Brass

PART NUMBER	VALVE SIZE	ILLUSTRATION	A		B		C		D		E	
			in	mm	in	mm	in	mm	in	mm	in	mm
81-800327-000	1/2"	A	-	-	-	-	-	-	3.34	85	2	51
81-800266-000	3/4"	A	-	-	-	-	-	-	3.34	85	2	51
WK-800443-000	1"	A	-	-	-	-	-	-	3.97	101	3.18	81
81-800444-000	1-1/4"	A	-	-	-	-	-	-	3.97	101	3.18	81
81-870152-000	1-1/2"	B	7.5	190.5	6.28	160	4.75	121	-	-	-	-
81-870151-000	2"	B	7.5	190.5	6.28	160	4.75	121	-	-	-	-

COMPATIBILITY

Series	DIOM P/N	Approvals
Kidde® ECS-500™ System	06-237585-001	UL, ULC, FM
Kidde® ECS-500™ Marine System	06-237589-001	UL, ULC, USCG
Kidde® ECS™ with 3M™ Novec™ 1230 Fire Protection Fluid	06-236553-001	UL, ULC, FM
Kidde® ADS™ with 3M™ Novec™ 1230 Fire Protection Fluid	06-237256-001	UL, ULC, FM
Kidde® ECS™ Marine with 3M™ Novec™ 1230 Fire Protection Fluid	06-236559-001	UL, ULC, USCG
Kidde® ADS™ Marine with 3M™ Novec™ 1230 Fire Protection Fluid	06-237257-001	UL, ULC, USCG
Kidde® ECS™ with HFC-227ea Agent	06-236115-001	UL, ULC, FM
Kidde® Modular ECS™ with HFC-227ea Agent	06-236116-001	UL, ULC, FM
Kidde® ECS™ Marine with HFC-227ea Agent	06-236225-001	UL, USCG
Kidde® ADS™ Marine with HFC-227ea Agent	06-236595-001	UL, ULC, USCG
Kidde® ADS™ with HFC-227ea Agent	06-236068-001	UL, ULC, FM
Kidde® FE-13™ Engineered Suppression System	06-236169-002	UL
Kidde Fire Systems Marine Carbon Dioxide Version 2.4 DIOM	220610	UL, USCG
Kidde® High Pressure CO ₂	81-CO2MAN-001	UL, ULC, FM

EXPORT INFORMATION (USA)

Jurisdiction: EAR

Classification: EAR99

This document contains technical data subject to the EAR.

KIDDE is a registered trademark of Kidde-Fenwal, Inc., or its parents, subsidiaries or affiliates.

This literature is provided for informational purposes only. KIDDE-FENWAL, INC. believes this data to be accurate, but it is published and presented without any guarantee or warranty whatsoever. KIDDE-FENWAL, INC. assumes no responsibility for the product's suitability for a particular application. Product features specified are only applicable when the fire suppression system is correctly designed, installed, maintained and serviced by trained, authorized Kidde Fire Systems distributors as per the applicable design, installation, operation, and maintenance manuals. If you need more information on this product, or if you have a particular problem or question, contact: KIDDE-FENWAL, INC., Ashland, MA 01721 USA, Telephone: (508) 881-2000.