

# Kidde Fire Systems System Component Datasheet



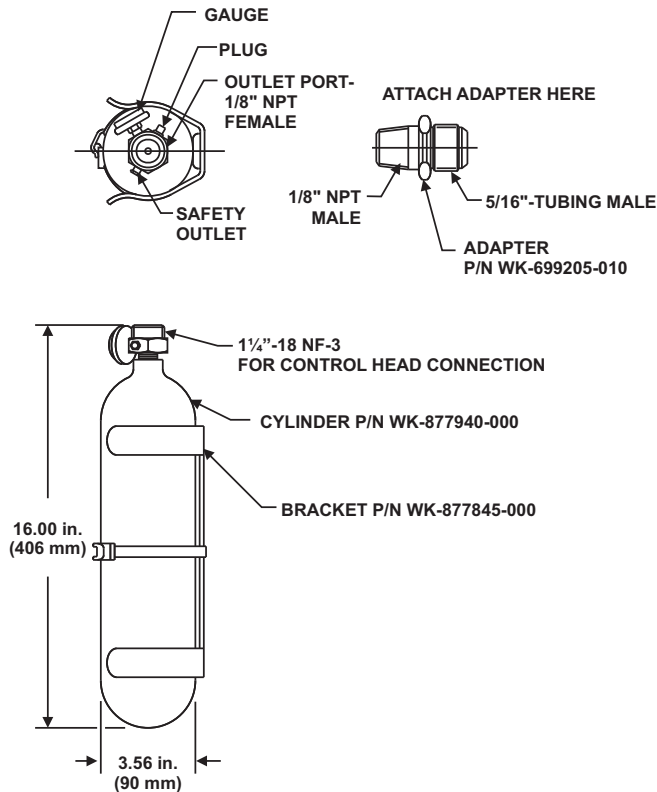
Effective: June 2019  
K-85-0513 Rev AC

## Nitrogen Pilot Cylinder, Bracket, and Adapter

### FEATURES

- UL Listed, ULC Listed, and FM Approved for use with systems listed below in the Table , “Compatibility,” on page 2.

P/N: WK-877940-000



### REBUILD KIT

For rebuilding the cylinder and replacing the valve assembly, use kit P/N: 90-990125-000. This kit includes:

### MATERIALS

Cylinder: Steel, Painted Black  
Valve: Brass  
Bracket: Steel, Painted Black  
Adapter: Brass

### SPECIFICATIONS

- Cylinder Capacity:  
108 in.<sup>3</sup> (1770 cm<sup>3</sup>)
- Safety Outlet Burst Range:  
2650 to 3000 PSI (183 to 207 bar) at 70°F (21°C)
- Nitrogen:  
NITROGEN-BB-n-411b, Grade A, Type 1  
1800 PSI (124 bar) at 70°F (21°C)

Part Number	Description
WK-281309-000	Label - Operating Instructions
WK-293436-000	Gauge – Cyl, Nitrogen Pilot
WK-283428-000	Label – Press Cyl
WK-844393-000	Assy - Valve

## COMPATIBILITY

Series	DIOM P/N	Approvals
ECS-500™ System with 3M™ Novec™ 1230 Fire Protection Fluid	06-237585-001	UL, FM
ECS-500™ Marine System with 3M™ Novec™ 1230 Fire Protection Fluid	06-237589-001	UL, USCG
ECS™ 360 System with 3M™ Novec™ 1230 Fire Protection Fluid	06-236553-001	UL, FM
ADS™ System with 3M™ Novec™ 1230 Fire Protection Fluid	06-237256-001	UL, FM
ECS™ 360 Marine System with 3M™ Novec™ 1230 Fire Protection Fluid	06-236559-001	UL, USCG
ADS™ Marine System with 3M™ Novec™ 1230 Fire Protection Fluid	06-237257-001	UL, USCG
ECS™ 360 System with HFC-227ea Agent	06-236115-001	UL, FM
ECS™ 360 Modular System with HFC-227ea Agent	06-236116-001	UL, FM
ECS™ 360 Marine System with HFC-227ea Agent	06-236225-001	UL, USCG
ADS™ Marine System with HFC-227ea Agent	06-236595-001	UL, USCG
ADS™ System with HFC-227ea Agent	06-236068-001	UL, FM
FE-13™ System	06-236169-002	UL
FE-13™ Modular System	06-236193-001	UL
High Pressure CO2 Marine System	220610	UL, USCG
High Pressure CO2 System	81-CO2MAN-001	UL, FM

### EXPORT INFORMATION (USA)

Jurisdiction: EAR

Classification: EAR99

This document contains technical data subject to the EAR.

KIDDE is a registered trademark of Kidde-Fenwal, Inc., or its parents, subsidiaries or affiliates.

This literature is provided for informational purposes only. KIDDE-FENWAL, INC. believes this data to be accurate, but it is published and presented without any guarantee or warranty whatsoever. KIDDE-FENWAL, INC. assumes no responsibility for the product's suitability for a particular application. Product features specified are only applicable when the fire suppression system is correctly designed, installed, maintained and serviced by trained, authorized Kidde Fire Systems distributors as per the applicable design, installation, operation, and maintenance manuals. If you need more information on this product, or if you have a particular problem or question, contact: KIDDE-FENWAL, INC., Ashland, MA 01721 USA, Telephone: (508) 881-2000.