

# Model 878752 Suppression System Abort Station For Canadian Applications



Effective: July 2014  
K-84-12

## FEATURES

- cULus Listed
- Flush or Surface Mount
- One Normally Open Contact
- Sized for Double Gang Box
- White Lettering on Blue Background
- Abort Station Becomes Addressable SLC Device with installation of one (1) Model AI Module, N.O.
- Meets requirements of ULC-S527-11

## DESCRIPTION

The Kidde® Model 878752 Canadian Abort Station features a large, easy-to-operate abort push button. The momentary type switch is very easy to see due to its highly visible yellow color. The abort station faceplate is clearly labeled with operation procedures—eliminating indecision and hesitation. White raised lettering on a blue faceplate meets the requirements of ULC-S527-11 3rd edition.

The Backbox is painted with red enamel and is provided with four 1/2-inch knockouts. The pre-drilled and tapped mounting tabs allow for easy attachment of the abort station.

To make the Canadian Abort Station an addressable SLC device for use with Kidde Intelligent control units, one SmartOne® Model AI monitor module (purchased separately) must be installed into the backbox. The Model AI monitor module is seated inside a bracket (included) and easily installs with two mounting screws.

## TECHNICAL SPECIFICATIONS

**Electrical Ratings:** One normally open momentary contact, rated 2.5 Amps @ 120 Vdc

**Ambient Temperature:** -13°F to 158°F (-25°C to 70°C)

**Terminals:** Captive screws and saddle clamps accept 14 AWG to 24 AWG wire

**Mounting:** Four 6-32 x 1/2-inch mounting screws included

## ORDERING INFORMATION

Part Number	Description	Shipping Weight
84-878752-110	Abort Station, Canadian	2 lb. (0.9 kg)
06-236881-001	Backbox, Red	1 lb. (0.45 kg)
70-407008-001	Model AI Addressable Monitor Module, N.O. (includes bracket)	5 oz. (145 g)

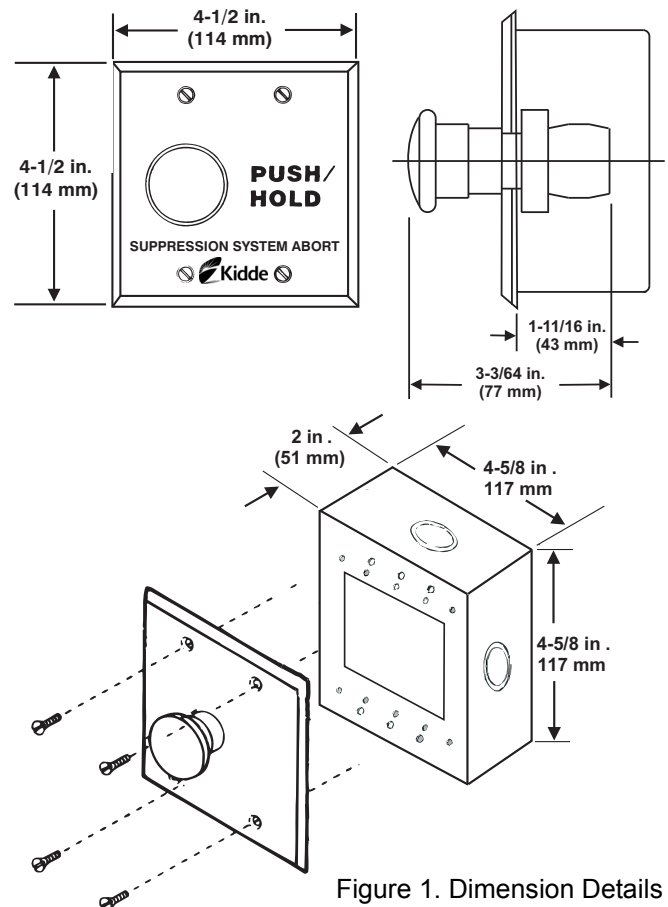


Figure 1. Dimension Details

This literature is provided for informational purposes only. KIDDE-FENWAL, INC. assumes no responsibility for the product's suitability for a particular application. The product must be properly applied to work correctly. If you need more information on this product, or if you have a particular problem or question, contact KIDDE-FENWAL, INC., Ashland, MA 01721. Telephone: (508) 881-2000.

Kidde Fire Systems  
400 Main Street  
Ashland, MA 01721  
Ph: 508.881.2000  
Fax: 508.881.8920  
www.kiddefiresystems.com