

Manual Release, Electric

P/N 83-132455-000

FEATURES

- **Factory Mutual Approved for Off Road Vehicles**
- **-65°F (-54°C) to 200°F (93°C) Operating Range**
- **Quick Connect Connectors**
- **Ingress Protected**
- **CE Approved**

DESCRIPTION

The Electric Manual Release (EMR) is a rugged ingress protected normally open switch assembly, which allows the vehicle operator to discharge the suppression system on demand. The EMR connects into the manual release circuit for the SA1, Network Control Module or KVS-2025. The EMR is factory fitted with quick connections compatible with the Input/Output (I/O) Cable Harness.

Recognizing that the popular compact operator cab size may contribute to inadvertently operating the EMR's push button, Kidde incorporated a safety pin. In the stand-by state, the safety pin physically prevents depressing the switch. The safety pin features dual metal prongs extending from the pull ring. A metal lanyard secures the safety pin to the EMR housing.

REFERENCED COMPONENTS

| Description | Reference Data Sheet |
|------------------------|----------------------|
| Cable Harness, I/O | K-83-244 |
| SA1 Panel | K-83-206 |
| Network Control Module | K-83-207 |
| KVS-2025 | K-83-102 |

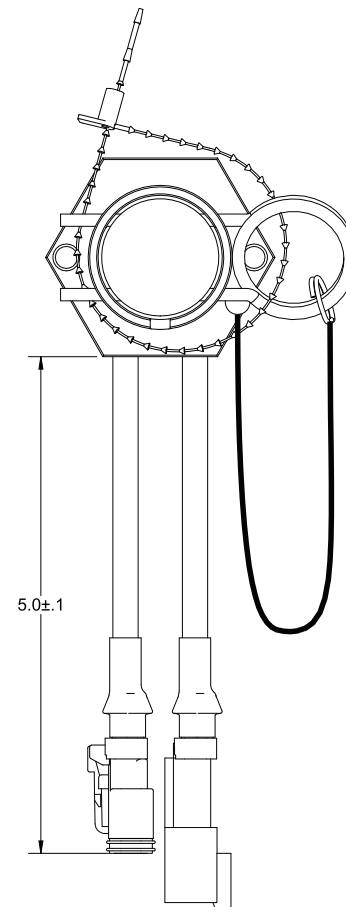


Figure 1. Manual Release, Electric
P/N 83-132455-000

All trademarks are the property of their respective owners.

This literature is provided for informational purposes only. Kidde-Fenwal, Inc. assumes no responsibility for the product's suitability for a particular application. The product must be properly applied to work correctly. The technical data contained herein is limited strictly for informational purposes only. Kidde-Fenwal, Inc. believes this data to be accurate, but it is published and presented without any guarantee or warranty whatsoever. If you need more information on this product, or if you have a particular problem or question, contact Kidde-Fenwal, Inc.

©2017 Kidde-Fenwal, Inc.

EXPORT INFORMATION (USA)
Jurisdiction: EAR
Classification: EAR99

Kidde Fire Systems
400 Main Street
Ashland, MA 01721 USA
Ph: 508.881.2000
Fax: 508.881.8920
www.kiddefiresystems.com