

Battery, Optional One Hour Stand-By

P/N 83-132400-250

FEATURES

- *Factory Mutual Approved for Off Road Vehicles*
- *32°F (0°C) to 158°F (70°C) Operating Range*
- *Quick Connect Wire Harness*
- *CE Approved*

DESCRIPTION

The Stand-By Battery provides an optional power source for at least one hour depending upon the system load. The battery utilizes Ni-Cad construction and can be re-charged.

The Stand-By Battery ships separately and includes a fastener kit and quick connect wiring harness to easily install either onto the Power Supply Board or a Network Control Module. After three years of service, Kidde requires replacing the Stand-By Battery.

TECHNICAL SPECIFICATIONS

| Description | Specification |
|------------------------------------|---------------|
| Part Number: | 83-132400-250 |
| Weight: | 6 oz. |
| Electrical Characteristics: | |
| Normal Voltage: | 8.4 V |
| Normal Capacity: | 600 mAh |
| Trouble: | 8.1 V |

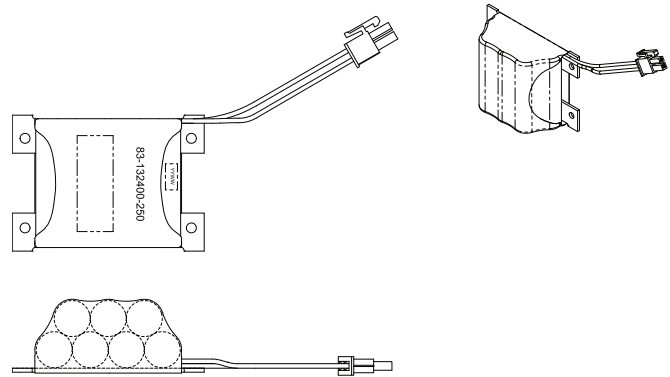


Figure 1. Battery, Optional One Hour Stand-By

REFERENCED COMPONENTS

| Description | Reference Data Sheet |
|------------------------|----------------------|
| SA1 Panel | K-83-206 |
| Power Supply Board | K-83-236 |
| Network Control Module | K-83-207 |

All trademarks are the property of their respective owners.

This literature is provided for informational purposes only. Kidde-Fenwal, Inc. assumes no responsibility for the product's suitability for a particular application. The product must be properly applied to work correctly. The technical data contained herein is limited strictly for informational purposes only. Kidde-Fenwal, Inc. believes this data to be accurate, but it is published and presented without any guarantee or warranty whatsoever. If you need more information on this product, or if you have a particular problem or question, contact Kidde-Fenwal, Inc.

©2017 Kidde-Fenwal, Inc.

EXPORT INFORMATION (USA)
Jurisdiction: EAR
Classification: EAR99

Kidde Fire Systems
400 Main Street
Ashland, MA 01721 USA
Ph: 508.881.2000
Fax: 508.881.8920
www.kiddefiresystems.com