

# Disconnect Switch, 12/24 VDC

## Sentinel Systems



Effective: September 2016  
K-83-216 Rev AB

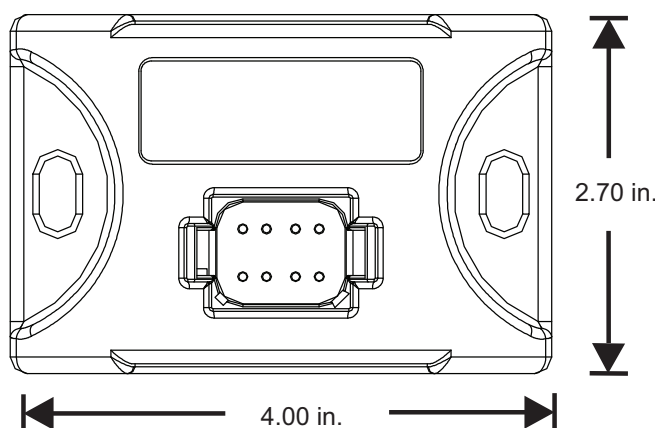
### FEATURES

- Rugged Plastic Housing
- Includes Wiring Harness
- 10 Amp
- Meets SAE J1455 & J1113 Standards
- 12 VDC/24 VDC

### DESCRIPTION

The Electronic Low Voltage Disconnect Switch, P/N 83-132400-300, is a 10A electronic disconnect switch for use with the Sentinel system.

The Disconnect Switch is housed in a rugged plastic housing, and sealed to IP-67 standards. The Disconnect Switch also includes an overcurrent protection system.



### ORDERING INFORMATION

The Disconnect Switch part numbers are provided below.

Part Number	Description
83-132400-300	Disconnect Switch, Electronic Low Voltage for 12VDC/24VDC Systems

### TECHNICAL DATA

Nominal Voltage, Supply	12Vdc	24Vdc
Disconnect Voltage, Min	9.0	18.0
Disconnect Voltage, Max	12.7	22.0
Re-Connect Voltage, Min	12.75	22.1
Re-Connect Voltage, Max	13.50	27.0
Continuous Supply Voltage Time Required to Restore Connection	4-sec	4-sec

All trademarks are the property of their respective owners.

This literature is provided for informational purposes only. Kidde-Fenwal, Inc. assumes no responsibility for the product's suitability for a particular application. The product must be properly applied to work correctly. The technical data contained herein is limited strictly for informational purposes only. Kidde-Fenwal, Inc. believes this data to be accurate, but it is published and presented without any guarantee or warranty whatsoever. If you need more information on this product, or if you have a particular problem or question, contact Kidde-Fenwal, Inc.

©2016 Kidde-Fenwal, Inc.

### EXPORT INFORMATION (USA)

Jurisdiction: EAR  
Classification: EAR99  
This document does not contain any export controlled technical data.

Kidde Fire Systems  
400 Main Street  
Ashland, MA 01721 USA  
Ph: 508.881.2000  
Fax: 508.881.8920  
[www.kiddefiresystems.com](http://www.kiddefiresystems.com)