

# Mounting Bracket for SA1 Control Panel and Actuator

## FEATURES

- Compact Integrated Installation of SA1 with RSA/EMR
- System Controls Conveniently Grouped Together
- Rugged Construction
- Flexible Installation Options

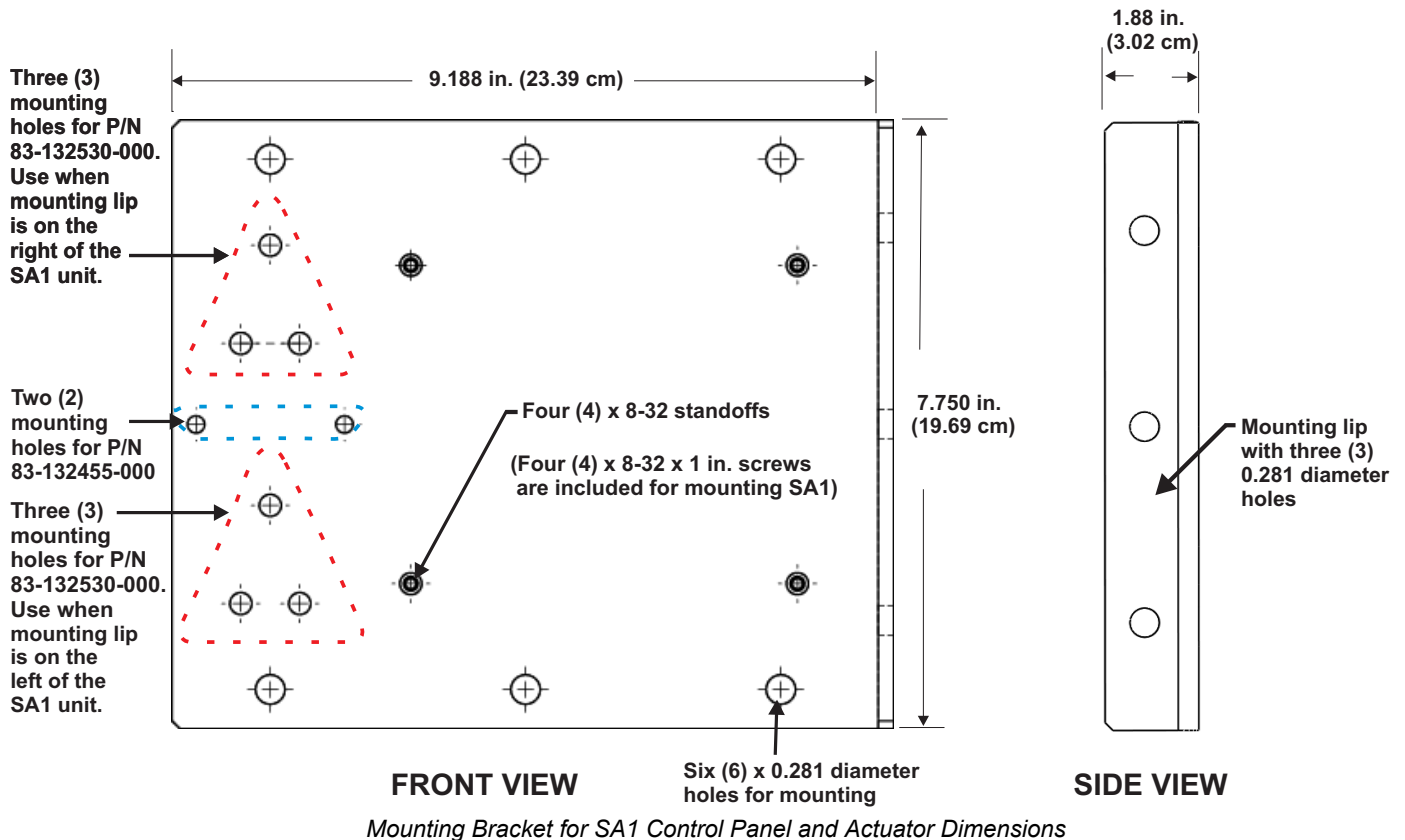
## DESCRIPTION

The SA1 Mounting Bracket provides a compact and flexible fixture to mount the SA1 panel with either a Remote System Actuator (RSA) or Electric Manual Release (EMR). The bracket conveniently locates all the system controls at the operator's fingertips. The bracket is formed from a rugged 3/16" plate with a durable powder coat finish. By using the 3/8" diameter mounting holes, the bracket may be supported either from the top, bottom or side. When side mounted, the bracket can be oriented for either left or right-hand operation of the RSA/EMR. The bracket includes four fasteners to ensure properly affixing the SA1 to it.

## ORDERING INFORMATION

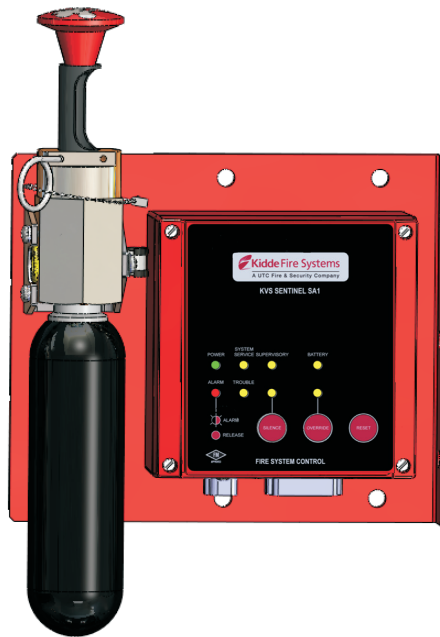
The mounting bracket part number is shown below, along with other component part numbers provided for reference.

Part Number	Description	RSA	EMR
83-130034-400	SA1 Mounting Bracket		
83-132400-000	SA1 Control Module		
83-132455-000	Electric Manual Release		X
83-132530-000	Bracket, RSA	X	
83-132514-000	Remote System Actuator	X	
WK-878508-000	Cartridge, 15 cu. in. Nitrogen	X	
83-132500-500	Metron Actuator	X	X

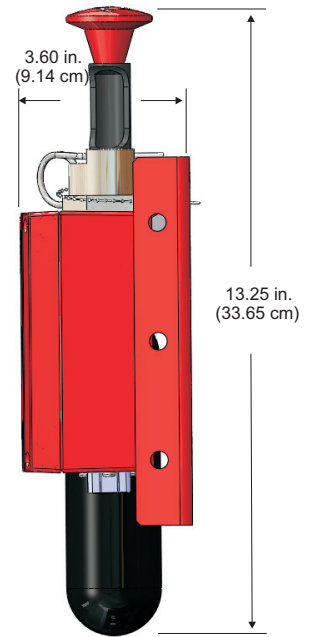




FRONT VIEW - oriented with lip on left



FRONT VIEW - oriented with lip on right  
SA1 Control Panel and RSA



SIDE VIEW

**DATASHEET REFERENCE**



SA1 Control Panel and EMR

Description	Reference Data Sheet
SA1 Control Module	K-83-206
Electric Manual Release	K-83-260
Bracket, RSA	Pending
Remote System Actuator	Pending
Cartridge, 15 cu. in. Nitrogen	Pending
Metron Actuator	K-83-261

**EXPORT INFORMATION (USA)**

Jurisdiction: EAR

Classification: EAR99

This document contains technical data subject to the EAR.

This literature is provided for informational purposes only. KIDDE-FENWAL, INC. believes this data to be accurate, but it is published and presented without any guarantee or warranty whatsoever. KIDDE-FENWAL, INC. assumes no responsibility for the product's suitability for a particular application. The fire suppression system design, installation, maintenance, service and troubleshooting must be performed by trained, authorized Kidde Fire Systems distributors for the product to work correctly. If you need more information on this product, or if you have a particular problem or question, contact: KIDDE-FENWAL, INC., Ashland, MA 01721 USA, Telephone: (508) 881-2000.