

Release Service Signal Silence Station

For Canadian Applications



Effective: July 2014
K-76-803

FEATURES

- cULus Listed
- Supports intelligent addressable applications with ARIES NETLink Control Unit
- Meets requirements of ULC-S527-11
- Includes Model AI Addressable Monitor Module, N.O.
- Double Gang Box Sized
- Red Lettering on Stainless Steel
- Surface Mount

DESCRIPTION

The Release Service Signal Silence Station for Canadian Applications allows release service signals to be silenced by turning a key switch in a mounted external box located near the control unit. When used with the ARIES NET-Link, the system supports applications that require compliance to ULC-S527-11 3rd edition.

The backbox is painted red enamel and is provided with 5½-in. and ¾-in. knockouts. The predrilled and tapped hole configurations allow for easy installation of the faceplate.

The faceplate is finished in brushed stainless steel with red lettering, and includes mounting hardware for joining to the backbox.



TECHNICAL SPECIFICATIONS

Operating

Temperature: -31°F to 151°F (-35°C to 66°C)

Terminals: Accepts 14 AWG to 24 AWG wire

Mounting: Four 6-32 x 1/2-inch mounting screws included

ORDERING INFORMATION

Part Number	Description	Shipping Weight
76-800600-101	Canadian Release Service Signal Silence Station (Includes Faceplate with Key Switch, Back Box, and N.O Model AI Addressable Monitor Module)	2 lb. (0.9 kg)

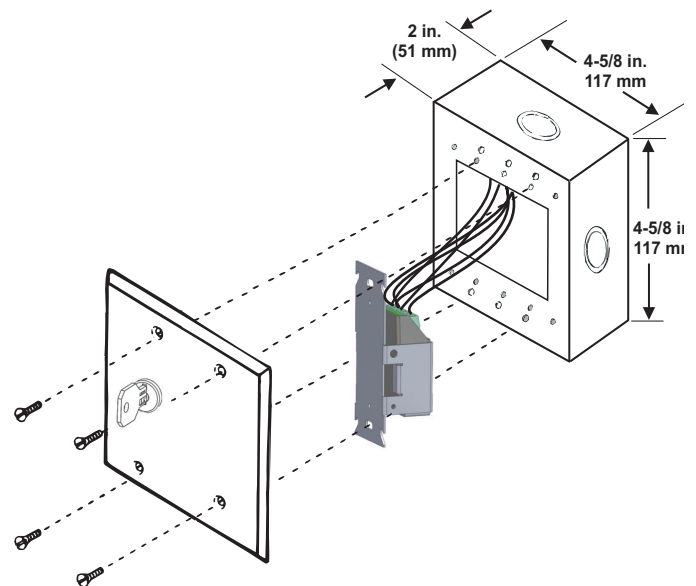


Figure 1. Dimension Details

This literature is provided for informational purposes only. KIDDE-FENWAL, INC. assumes no responsibility for the product's suitability for a particular application. The product must be properly applied to work correctly. If you need more information on this product, or if you have a particular problem or question, contact KIDDE-FENWAL, INC., Ashland, MA 01721. Telephone: (508) 881-2000.

Kidde Fire Systems
400 Main Street
Ashland, MA 01721
Ph: 508.881.2000
Fax: 508.881.8920
www.kiddefiresystems.com