

Hand-Held Device Programmer

For SmartOne® Devices and DS Series Detectors

K-76-227

Effective: January 2017

FEATURES

- Single or sequential device addressing modes
- Compact design; user-friendly
- AC and battery power operation
- Adjustable LCD Contrast
- Integral detector base: photo, ion, thermal detectors
- Adapter Base for DS Series Detectors included
- Snap-in AI/AO Module Adapter for easy changeover
- SLC Interface Adapter Connector—no SLC wiring
- No wiring or End-of-Line resistors required (except NC AIs)
- Less than 15 seconds addressing time per device

DESCRIPTION

The Hand-Held Device Programmer (the “Programmer”) provides the system installer/service person with a convenient means to assign device address information and test device operation. The Programmer is designed to support all SmartOne intelligent/addressable devices and DS Series Detectors (adapter base included).

Note: Prior to using the Programmer, ensure that you have the following supplied accessories:

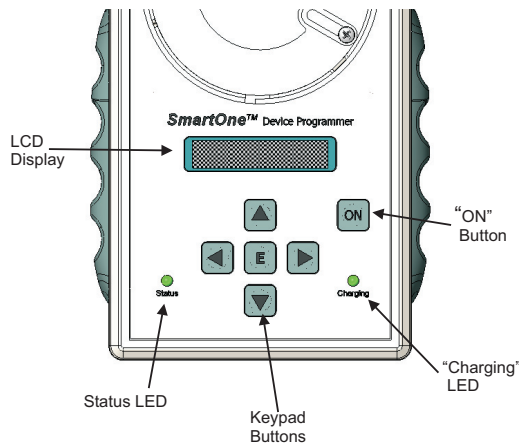
- SLC Interface Adaptor
- AC Adaptor (120V)
- AI/AO Module Adaptor
- 4 NiMH Rechargeable AA Batteries
- Storage Case



OPERATION OVERVIEW

To turn the Programmer on:

1. Press the button labeled “ON.”



2. Verify that the green “**Status**” LED is lit, and the LCD display message reads “**SLC Programmer.**”
After approximately 4 seconds, the LCD display should show the first Main Menu level option, “**Single Addressing.**”

To turn the Programmer off:

From the Main Menu, press <←> or <→> until the LCD display reads “**Power Off**”; then press <E> (**Enter**), and the Programmer will turn off.

If you leave the Programmer idle, the Automatic Power Off feature will turn the Programmer off after the pre-set default time of 5 minutes. You can adjust the Power Off time to between 1 and 10 minutes.

GENERAL MENU NAVIGATION

General menu navigation rules include the following keypad instructions:

1. Press the <↑> and <↓> buttons to navigate the menu **levels**.
2. Press <E> (Enter) to enter any **sub-menu** from any higher level.
3. Press the <←> button to return to a **previous menu**.

MAIN MENU LEVEL SELECTIONS

To access Main Menu selections, press the <↑> and <↓> buttons until the LCD display shows the desired selection, then press <E>. There are four Main Menu selections:

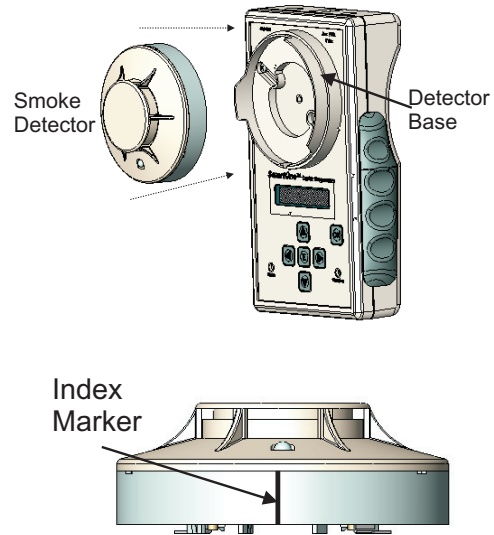
- **Single Addressing** - Set an address for a single device at a time.
- **Sequential Addressing** - Set an address **range** (with a start address and end address), and give each device a unique address within that range. Program multiple devices quickly, and reduce the possibility of setting duplicate addresses.
- **Alarm Test** - Test the alarm initiating responses of initiating devices. A device that fails the Alarm Test should not be installed.
- **Options** - Adjust LCD settings; show current firmware version; adjust the Power-Off timer.

CONNECTING TO VARIOUS SMARTONE DEVICES

(The power may be ON or OFF when connecting the various SmartOne devices.)

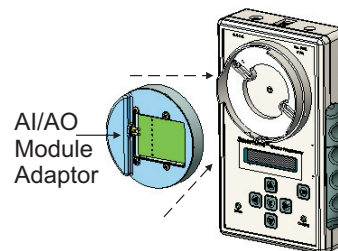
Smoke/Heat Detectors

Snap the detector into the detector base, orient the index marker on the device to the five o'clock position, then rotate clockwise.



Addressable Input/Addressable Output Modules

1. Connect the AI/AO Module Adaptor to the detector base, orient the index marker on the device to the five o'clock position, then rotate clockwise.



2. Insert the AI or AO module so that the terminal block faces left. Tilt the module into the recess of the adaptor so that the terminal block screws make contact with the spring-loaded probes; then snap the back of the module into the right half of the recess.

Other Devices

Plug the SLC Interface Adaptor jack into the Programmer Connector marked "SLC OUT." Locate terminal blocks on device labeled "SLC" or "PC Line." Connect one SLC Interface Adaptor wire to Terminal "A" on the device, and the other wire to Terminal "B."

SUPPORTED DEVICES

SmartOne Device	Part No.
Ionization Detectors	70-402001-100
	70-401001-000
	70-401002-000
	70-401004-000
Photoelectric Detectors	DS-PS
	71-402001-100
	71-401001-000
	71-401002-000
Heat Detector	DS-HFS
	70-404001-100
Addressable Contact Input Devices	70-407008-001
	70-407018-001
	70-407008-002
Addressable Contact Output Devices	70-408004-001
	70-408014-001
Addressable Sounder Module	70-200200-001
	70-200200-002
Addressable AlarmLine Module	73-100001-003
Remote Releasing Module	70-600000-001
	70-600000-002

TROUBLE CODES

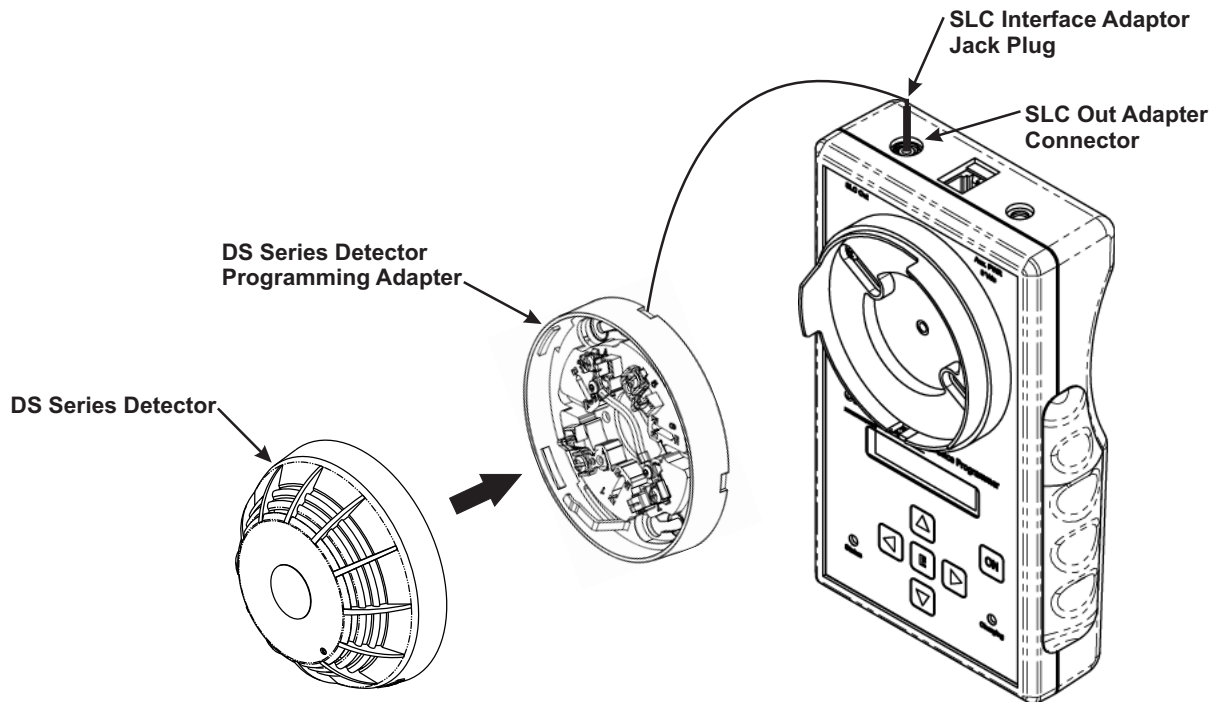
Code	Meaning
Low Battery	Batteries need recharging or replacing
Short Circuit on SLC	Flying leads shorted, or internal short on device under test
Flash Error!	Programmer's Internal Memory failure*
Unknown Type	Programmer does not support device*
Active Troubles in Alarm	Normally Closed Addressable Contact Input Device P/N 70-407008-002 requires that input terminal blocks SWA and SWB be jumpered together before addressing.
- Unassigned Type - In Alarm - In Pre-Alarm - Contact Failure - Drift Error - Relay Fault - Memory Fault - Alarm Fault - Device Test Mode	Internal fault on device being tested*
* Remove the device and allow the Programmer to clear. Then re-attach the device being tested. If the device fails again, do not install the device.	

ORDERING INFORMATION

Part No.	Description
70-600000-100	SmartOne Hand-Held Device Programmer (complete unit) Contents include the following: <ul style="list-style-type: none"> • SLC Interface Adaptor • AC Adaptor (120 V) • AI/AO Module Adaptor • 4 NiMH Rechargeable AA Batteries • Storage Case • Includes one (1) DS Series Detector Programming Adapter
70-600000-101	SmartOne Hand-Held Device Programmer— only with SLC Interface Adaptor and Quick Reference Guide. (Does NOT include other Adaptors, Batteries, or Storage Case.)
06-220197-001	Accessory Kit—contents include the following: <ul style="list-style-type: none"> • SLC Interface Adaptor • AC Adaptor (120V) • AI/AO Module Adaptor
06-118577-001	AC Adaptor (240V)
70-600000-110	DS Series Detector Programming Adapter

CONNECTING TO DS SERIES DETECTORS

A fixture that allows DS-PS and DS-HFS detectors to be programmed via the SmartOne Hand-Held Programmer is included with the programmer or available as a separate part number. The adapter is a base with an attached wire and jack which plugs directly into the programmer. It does not mount onto the programmer. The DS Series detector head is then attached to the connected base for programming.



This document does not contain any export controlled technical data.

SmartOne is a registered trademark of Kidde-Fenwal, Inc.
All other trademarks are the property of their respective owners.

This literature is provided for informational purposes only. Kidde-Fenwal believes this data to be accurate, but it is published and presented without any guarantee or warranty whatsoever. Kidde-Fenwal, Inc. assumes no responsibility for the product's suitability for a particular application. The product must be properly applied to work correctly. If you need more information on this product, or if you have a particular problem or question, contact Kidde-Fenwal, Inc., Ashland, MA 01721 USA.