

Eaton MEDC Series XB11 Strobe for Hazardous Locations



K-75-006

Effective: April 2016

FEATURES

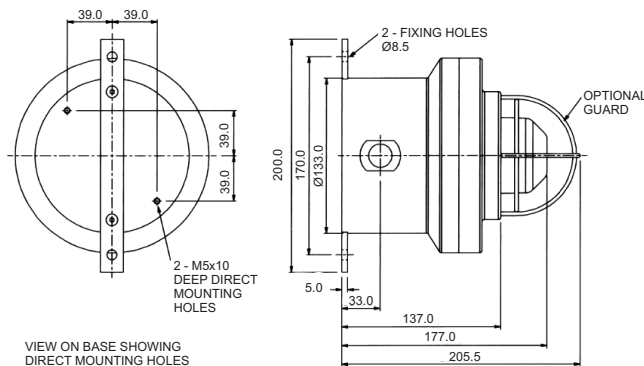
- **UL and cUL Listed**
Hazardous locations:
Class I, Div 2, Groups C & D
Class I, Zones 1 & 2 AExd IIB T5
Ordinary locations: Visual-Signal Devices (UL 1638)
- **California State Fire Marshal (CSFM) Listed**
- **NEMA 4x and 6, IP66 and IP67**
- **Certified temperature -67°F to +158°F (-55°C to +70°C)**
- **Light weight, corrosion resistant GRP**
- **4-wire monitored connection**
- **24 VDC**
- **Lens color: red**
- **Finish: natural black**
- **Weight: 5.5 lb (2.5kg)**

DESCRIPTION

Kidde Fire Systems offers Eaton's MEDC Series XB11 Strobe. This certified strobe has been designed for use in potentially explosive gas and dust atmospheres and harsh environmental conditions. The strobe housing is manufactured from a UV stable, glass reinforced polyester (GRP) enclosure that is suitable for offshore and onshore use where corrosion resistance is required in a light weight assembly. Stainless steel screws and mounting bracket are incorporated ensuring a totally corrosion free product.



DIMENSIONS



SPECIFICATIONS

Voltage (VDC)	24
XB11 Tube Energy (Joules)	5
Peak Current consumption (ma)	320
Power Consumption (Watts)	8
Effective Intensity (Candela)	4.35

ARCHITECTS AND ENGINEERS SPECIFICATIONS

Strobes for hazardous locations and harsh environments shall be UL and cUL listed for Class I, Division 2, Groups C&D, and Class I, Zones 1&2, AExd IIB T5 applications and shall be listed under UL Standard 1638 for Indoor/Outdoor use. The strobe appliances shall be constructed of lightweight, UV stable glass reinforced polyester (GRP), shall be corrosion resistant, and shall meet NEMA 4x, NEMA 6, IP 66 & IP 67 environmental requirements over a temperature range of -67°F to 158°F (-55°C to 70°C). The strobe shall be rated to flash at 1 Hz. Rated current draw shall not exceed 320 mA at 24 VDC. The strobe shall be capable of direct surface mounting in any direction.

ORDERING INFORMATION

Part Number	Description
XB11UL02406RNBNNNN	Series XB11, Red Strobe, 24VDC, Natural Black Finish

The technical data contained herein is limited strictly for informational purposes only. Kidde-Fenwal believes this data to be accurate, but it is published and presented without any guarantee or warranty whatsoever.

All trademarks are the properties of their respective owners.

EXPORT INFORMATION (USA)
Jurisdiction: EAR
US ECCN: EAR99

This literature is provided for informational purposes only. Kidde-Fenwal, Inc. assumes no responsibility for the product's suitability for a particular application. The product must be properly applied to work correctly. If you need more information on this product, or if you have a particular question, contact Kidde-Fenwal, Inc., Ashland, MA 01721 USA.



400 Main Street
Ashland, MA 01721 USA
Tel: 508.881.2000
www.kiddefiresystems.com