

Industrial Dry Chemical

Low-Overhead Nozzle



A UTC Fire & Security Company

Effective: March 2007

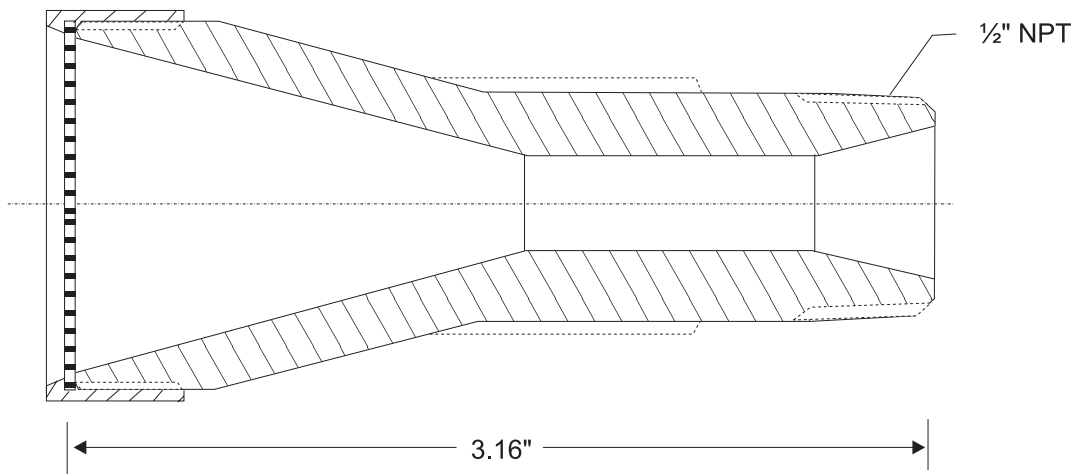
K-83-009

P/N: 844258

DESCRIPTION

Low-Overhead nozzles are designed to discharge a solid cone of dry chemical down onto a protected area from a fixed location above the protected area.

The Low-Overhead Nozzle uses a screen at the nozzle outlet to reduce the velocity of the dry chemical discharge. This allows the nozzle to be positioned closer to the surface of a flammable liquid.



This literature is provided for informational purposes only. KIDDE-FENWAL, INC. assumes no responsibility for the product's suitability for a particular application. The product must be properly applied to work correctly. If you need more information on this product, or if you have a particular problem or question, contact KIDDE-FENWAL, INC., Ashland, MA 01721. Telephone: (508) 881-2000.

Kidde Fire Systems
A UTC Fire & Security Company
400 Main Street
Ashland, MA 01721
Ph: 508.881.2000
Fax: 508.881.8920
www.kiddefiresystems.com