

Kidde Fire Systems

WHDR™ and IND™ Systems

Component Datasheet



Effective: May 2019
K-87-101 Rev AB

1/2 inch EMT Compression Corner Pulley

FEATURES

For use in:

- WHDR™ Commercial Cooking Fire Suppression Systems
- IND™ Industrial Fire Suppression Systems

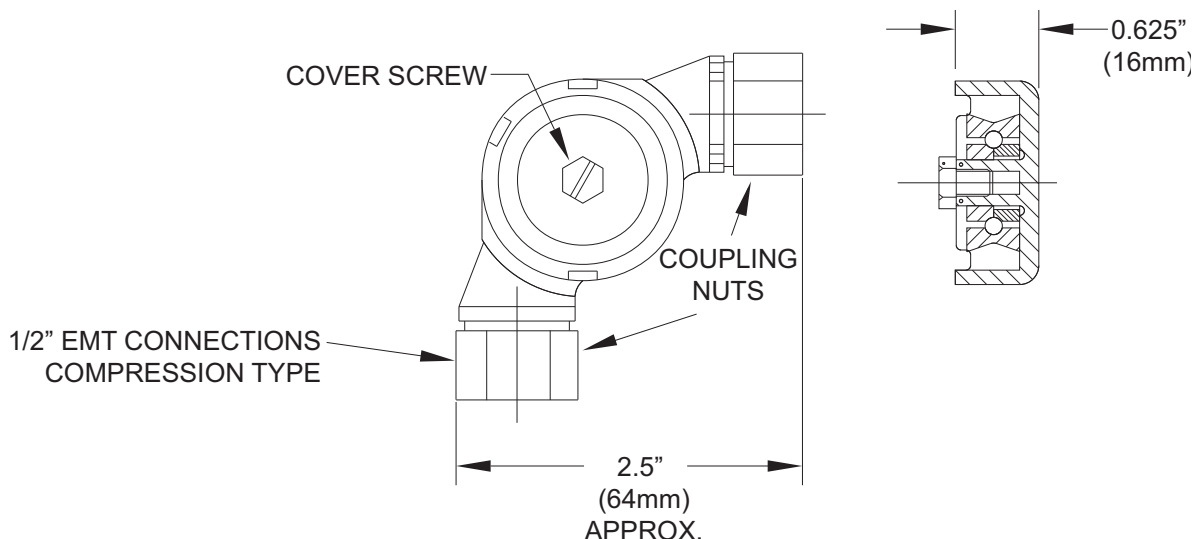
For use with:

- XV™ Control System
- KRS-50 Control Box*

P/N: WK-844648-000 (844648)

DESCRIPTION

The Corner Pulley is used to change the direction of the system cable runs. The cable's protective conduit (1/2-inch EMT) is attached to the corner pulley with the provided compression coupling nuts. The Corner Pulley is equipped with a ball-bearing pulley for minimum resistance to the cable travel.



MATERIALS:

- **Body:** Aluminum
- **Internal Components:** Zinc and Steel

REFERENCE INFORMATION

- WHDR™ systems designed and installed in accordance with manual P/N 87-122000-001
- IND™ Industrial systems designed and installed in accordance with manual P/N 220423
- IND Vehicle Spray Booth systems designed and installed in accordance with manual P/N 83-100036-001

* KRS-50 Control Box not for use with IND systems.

This literature is provided for informational purposes only. KIDDE-FENWAL, INC. believes this data to be accurate, but it is published and presented without any guarantee or warranty whatsoever. KIDDE-FENWAL, INC. assumes no responsibility for the product's suitability for a particular application. Product features specified are only applicable when the fire suppression system is correctly designed, installed, maintained and serviced by trained, authorized Kidde Fire Systems distributors as per the applicable design, installation, operation, and maintenance manuals. If you need more information on this product, or if you have a particular problem or question, contact: KIDDE-FENWAL, INC., Ashland, MA 01721 USA, Telephone: (508) 881-2000.

EXPORT INFORMATION (USA)

Jurisdiction: EAR
Classification: EAR99

This document contains technical data subject to the EAR.

All trademarks are property of their respective owners.

©2019 Kidde-Fenwal, Inc.

Kidde Fire Systems
400 Main Street
Ashland, MA 01721
Ph: 508.881.2000
Fax: 508.881.8920
www.kiddefiresystems.com