

Kidde Electric Gas Valve and Manual Reset Relay

P/N: 60-9197XXX-000; 60-9101735-000

Effective: February 2012
K-87-023

FEATURES

- **For Use in:**
 - **WHDR™ Commercial Cooking Fire Suppression Systems**
 - **IND™ Industrial Fire Suppression Systems**
- **For Use with Kidde XV™ Control System or KRS-50 Control Box**
- **UL Listed and ULC Listed**
- **FM Approved for IND Systems**

DESCRIPTION

The Kidde Electric Gas Valve (Figure 1) is used on systems protecting gas-fueled equipment (e.g., appliances). The Kidde valve uses an electrically operated solenoid (120V, 60 Hz), which holds the valve in the open position. Upon system actuation or loss of electrical power, the valve closes, stopping the flow of gas to the equipment. All Electric Gas Valves must be installed horizontally with the solenoid up.

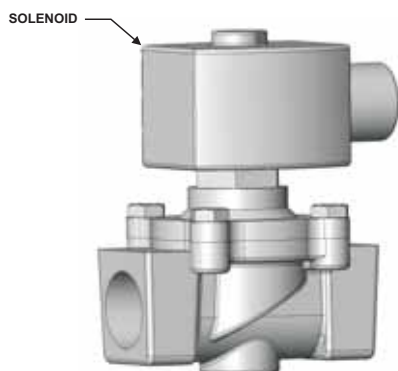


Figure 1. Electric Gas Valve

A Kidde Manual Reset Relay, P/N 60-9101735-000, is required with all Kidde Electric Gas Valves. The Manual Reset Relay (Figure 2) provides DPDT contacts rated for 6 amps at 115 Vac and prevents immediate reopening of the Electric Gas Valve.

The Electric Gas Valve and Manual Reset Relay must be specifically listed for use with the Kidde WHDR or IND suppression system.



Figure 2. Manual Reset Relay, P/N 60-9101735-000

The Electric Gas Valve can be controlled via a Pressure Switch installed in the discharge piping (Figure 3 and Table 1) or via a microswitch from the XV Control System or KRS-50 Control Box (Figure 4).

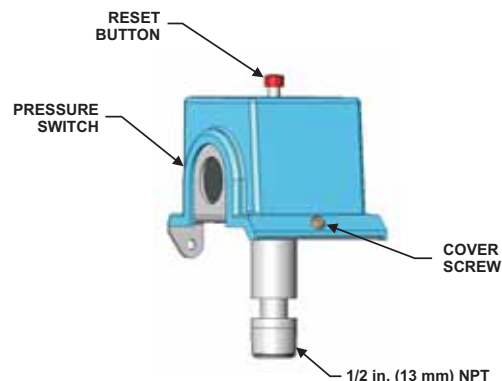


Figure 3. Pressure Switch, P/N 60-9197023-000

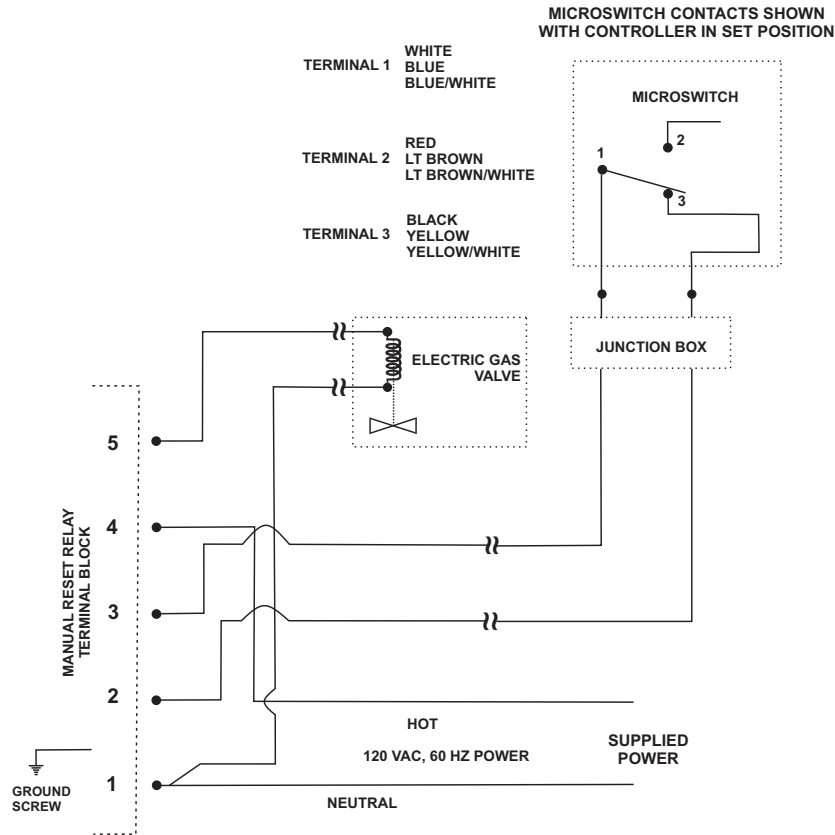


Figure 4. Manual Reset Relay Wiring for Microswitches

Table 1: Pressure Switch Electric Specifications

115/230 Vac	15 Amps
28 Vdc	5 Amps
75 Vdc	1 Amp
125 Vdc	1/2 Amp
250 Vdc	1/4 Amp
Yellow Wire	Common
Blue Wire	Normally Open
Black Wire	Normally Closed

ORDERING INFORMATION

Description	Part Number
1/2-in. Electric Gas Valve	60-9197017-000
3/4-in. Electric Gas Valve	60-9197018-000
1-in. Electric Gas Valve	60-9197019-000
1-1/4 in. Electric Gas Valve	60-9197020-000

ORDERING INFORMATION (Continued)

Description	Part Number
1-1/2-in. Electric Gas Valve	60-9197021-000
2-in. Electric Gas Valve	60-9197022-000
2-1/2-in. Electric Gas Valve	60-9197444-000
3-in. Electric Gas Valve	60-9197445-000
Manual Reset Relay	60-9101735-000
Microswitch, Quick Connect, Solid Leads (for XV)	87-120039-001
Microswitch, Quick Connect, Striped Leads (for XV)	87-120039-501
Microswitch, Quick Connect, SPDT (for KRS-50)	60-9197227-000
Microswitch, Quick Connect, Dual SPDT (for KRS-50)	60-9197228-000
Pressure Switch	60-9197023-000

Kidde is a registered trademark of Kidde-Fenwal, Inc. WHDR, IND, and XV are trademarks of Kidde-Fenwal, Inc.

This literature is provided for informational purposes only. KIDDE-FENWAL, INC. assumes no responsibility for the product's suitability for a particular application. The product must be properly applied to work correctly. If you need more information on this product, or if you have a particular question, contact KIDDE-FENWAL, INC., Ashland, MA 01721. Telephone: (508) 881-2000.



A UTC Fire & Security Company

400 Main Street
Ashland, MA 01721
Ph: 508.881.2000
Fax: 508.881.8920

www.kiddefiresystems.com