

Reel, Wall Mounted for Low Pressure Carbon Dioxide

P/N 70260676

Effective: April 2018
C-64-052 Rev AA

FEATURES

- *UL Listed for LPCO₂ Service*
- *150-ft capacity with 1-in ID hose*
- *Adjustable Spring Drag Device to Brake Reel*
- *1.5-in FNPT 90-deg Swivel Joint, Plated*
- *1.0-in FNPT Outlet, SST*

DESCRIPTION

The wall mounted reel provides a convenient robust storage solution for Low Pressure Carbon Dioxide (LPCO₂) hand held hose line systems. This reel may be ordered to replace a damaged system installation. The reel is constructed from steel material with an enamel red colored finish for corrosion protection. A swivel adapter is required to properly connect the reel to the hose line. Disengaging the spring drag device allows deploying the hose using a hand over hand operation or similarly when rewinding a deployed hose.

SPECIFICATIONS

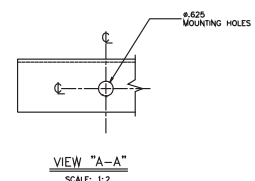
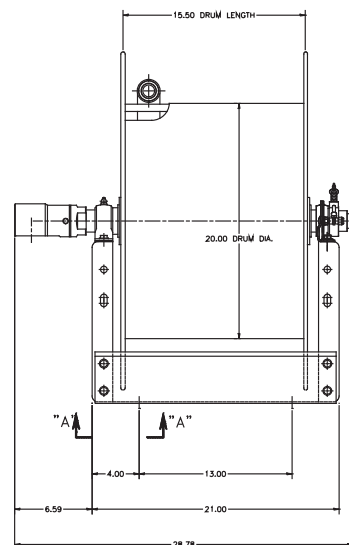
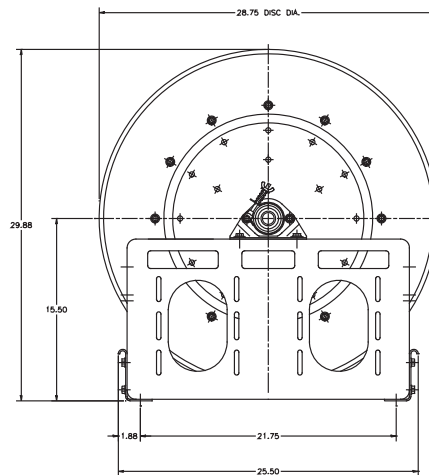
Pressure, Max: 600-psi (41-bar)
Temperature, Min: -25°F (-31°C)
Temperature, Max: 175°F (79°C)

ORDERING INFORMATION

| Description | Part Number |
|--------------------|-------------|
| Reel, Wall Mounted | 70260676 |

REFERENCED COMPONENTS

| Description | Reference Data Sheet |
|-----------------|----------------------|
| Reel, Spooled | C-64-051 |
| Adapter, Swivel | C-64-053 |
| Hoe Line, 1" | C-64-054 |



This literature is provided for informational purposes only. KIDDE-FENWAL, INC. believes this data to be accurate, but it is published and presented without any guarantee or warranty whatsoever. KIDDE-FENWAL, INC. assumes no responsibility for the product's suitability for a particular application. The fire suppression system design, installation, maintenance, service and troubleshooting must be performed by trained, authorized Kidde Fire Systems distributors for the product to work correctly. If you need more information on this product, or if you have a particular problem or question, contact KIDDE-FENWAL, INC., Ashland, MA 01721 USA. Telephone: (508) 881-2000.

EXPORT INFORMATION (USA)

Jurisdiction: EAR
Classification: EAR99
This document contains technical data subject to the EAR.
All trademarks are the property of their respective owners.
©2018 Kidde-Fenwal, Inc.

Kidde Fire Systems
400 Main Street
Ashland, MA 01721
Ph: 508.881.2000
Fax: 508.881.8920
www.kiddefiresystems.com