

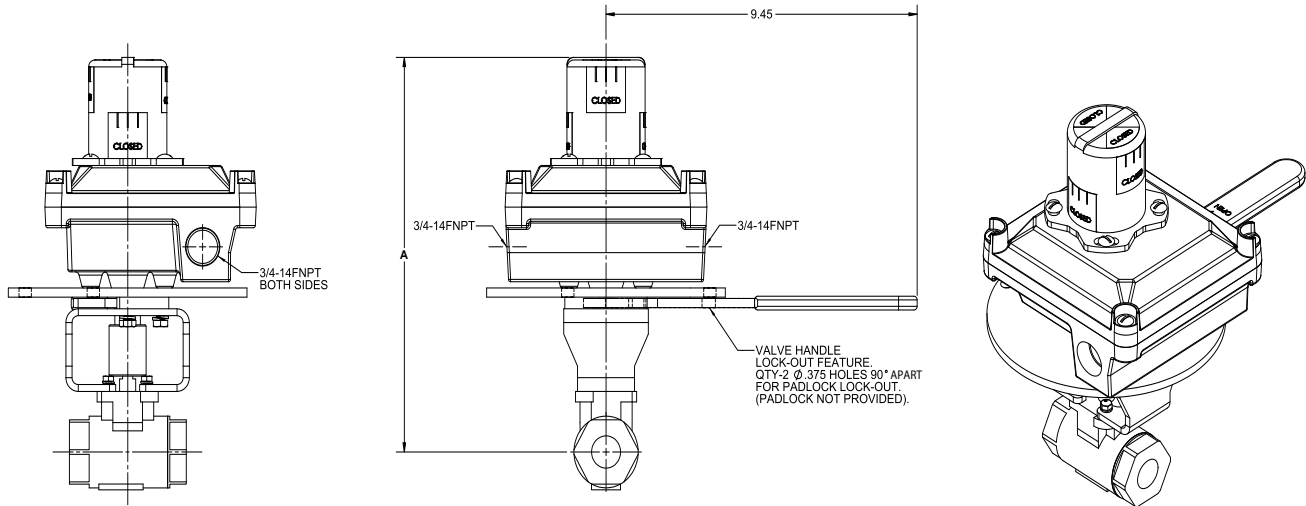
# LPCO<sub>2</sub> Component Description

Ball Valve, Stainless Steel  
(with Explosion Proof Limit Switch)

C-64-120 Rev AA

## FEATURES

- FM Approved for LPCO<sub>2</sub> Service
- NEMA 4, 4X
- Class 1, Division 1, Groups C & D
- Class 2, Division 1, Groups E, F, & G



## Ordering Information

Valve Size	Assembly Part Number	Ball Valve Part Number	Dimension A (inches)	Assembly Weight (pounds)
1/4"	70610947	70610933	9.9"	10.3
1/2"	70610948	70610934	9.9"	10.3
3/4"	70610949	70610935	10.06"	11.3
1"	70610950	70610936	10.74"	12.3
1-1/4"	70610951	70610937	10.87"	13.3
1-1/2"	70610952	70610938	11.42"	14.8
2"	70610953	70610939	11.60"	16.9

### LIMIT SWITCH MATERIALS:

- Aluminum Enclosure With Ultra Low Copper Content (0.2%)

### Limit Switch:

- SPDT, Form C (normally open)
- 15A, 125/250 V AC
- 6 A/24 V DC
- 0.5A/125 V DC
- 0.25A/250 V DC

### Reference Data Sheets:

- C-64-100 (w/o LS)
- C-64-110 (fitted with NEMA 4, 4X LS)

Jurisdiction: EAR; ECCN: 2B999.g

This literature is provided for informational purposes only. Chemetron Fire Systems assumes no responsibility for the product's suitability for a particular application. The product must be properly applied to work correctly. If you need more information on this product, or if you have a particular question, contact Chemetron Fire Systems.

Chemetron and Chemetron Fire Systems are trademarks of Kidde-Fenwal, Inc. All other trademarks are the property of their respective owners.