

Fire Brigade Panel BU-210

Autroprime Interactive Fire Detection System
Product datasheet

Features

- User-friendly display and operator controls
- Backlit operating buttons. Text display suitable for night-time operation
- Surface mounting
- Designed to meet EN 54 and LPCB requirements, and conforms to CE standards
- Complies with environmental conditions of IEC-721-3-3 class 3k5

Application/Description

From the Fire Brigade Panel BU-210 it is possible to mute the panel's internal buzzer, silence sounders/bells etc. and reset the system. Only alarms are shown in the display.

The panel is menu operated on a 8-line display, with 40 characters per line.

The BU-210 communicates with the Fire Alarm Control Panel BS-200, Information Panels BV-210, Repeater Panels BS-211, other Fire Brigade Panels BU-210 and Mimic Drivers BUR-200 on an RS-485 panel bus.

Indicators

- 8 x 40 character alphanumeric display
- Alarm, More Alarms, Pre-Alarm, Remote Call, Fault, Disabled Function, Delayed Activation, Power
- Internal buzzer

Operator Controls

- More Events, Mute panel, Silence, Reset
- Backlit buttons and text
- Fireman's key



Capacity

- A maximum of 8 additional panels can be freely mixed and connected to the Fire Alarm Control Panel via the RS-485 panel bus, including Repeater Panels BS-211, Information Panels BV-210, Fire Brigade Panels BU-210 and mimic Drivers BUR-200

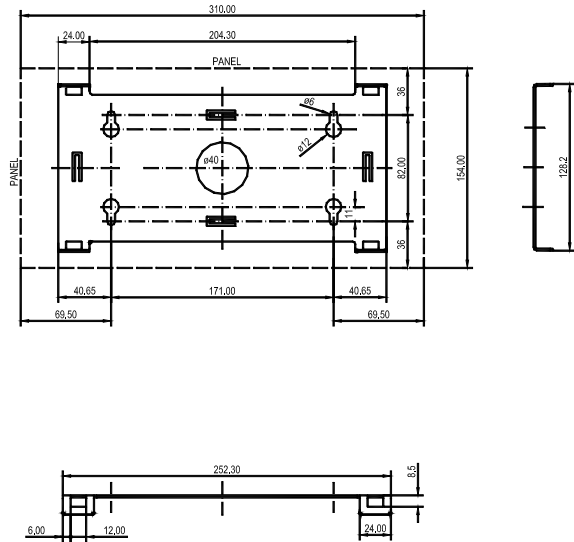
Panel Bus Connection (connector J13 and J14)

J14							J13						
+24V in1	0V in1	+24V in2	0V in2	A1	B1	GND	+24V in1	0V in1	+24V in2	0V in 2	A2	B2	GND
Panel Bus In							Panel Bus Out						

Addressing the Panel

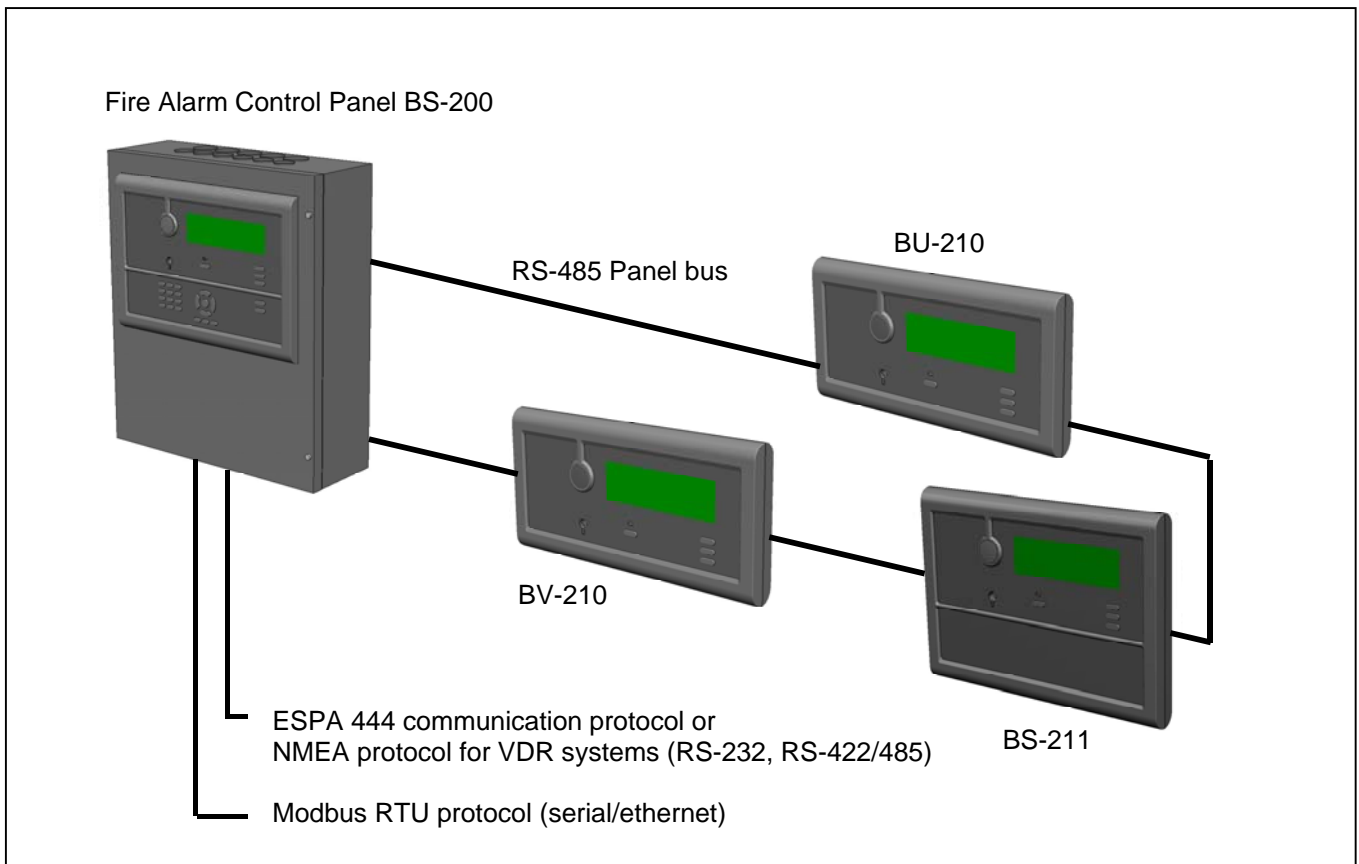
The rotary switch on the rear side of the panel (on the left side of the connector J13 and J14) is used to address the panel (1-9)

Technical specifications	
Dimensions (mm)	310 x 154 x 45
Weight	0,7 kg
Materials	ABS/PC moulded front
Mounting	Surface
Protection class	IEC 529 / IP32
Operating temperature	- 15 °C to + 70 °C
Humidity	0 to 95 % non-condensing
Storage temperature	- 40 °C to + 70 °C
Current consumption	20 mA at 27 VDC, 300 mA at lamp test (start-up)
Power supply	18-30 VDC
Communication	RS-485 Panel Bus (redundant power bus)



Part number	Description
116-BU-210	Fire Brigade Panel BU-210
116-UD-731	Wall mount bracket

Panels interconnected on the RS-485 Panel Bus



AUTRONICA FIRE AND SECURITY AS

Head office, Trondheim, NO-7483 Norway Tel: +47 73 58 25 00, fax: +47 73 58 25 01, e-mail: info@autronicafire.no
 Oil and Gas division, Stavanger, Norway Tel: +47 51 84 09 00, fax: +47 51 84 09 99
 Maritime division, Spikkestad, Norway Tel: +47 31 29 55 00, fax: +47 31 29 55 01

Visit Autronica Fire and Security AS' website: www.autronicafire.com