

Heat detector - BD-200M

Interactive fire detection systems
Product datasheet

Features

- Interactive
- Heat detector intended for use in cold areas
- Short circuit isolator in each detector
- Conforms to EMC directive
- Additional coating of PCB circuit for environmental protection
- Comprises a built in alarm indicator (LED)
- Automatic addressing
- Proven technology
- Configurable to class A1, A1R, A2S, B, C
- Not influenced by dust, humidity, exhaust gases, and electromagnetic fields i.e.: radio transmitters, cellular phones, etc.
- EN 54-5/EN 54-17
- Designed to meet the requirement of the major maritime classification societies

Applications

BD-200M is a point heat detector for detection of rise in environment temperature caused by a fire. The detector is designed for use with Autronica's interactive fire detection systems.

Moulding of PCB and sealing of the sensing element makes this detector suitable for rough areas like heavy industry, maritime and offshore applications.

BD-200M is often used in areas where the environment is likely to produce false/unwanted alarms from smoke detectors such as:

- Kitchens
- Galleys
- Bathrooms
- Boiler rooms
- Workshops, etc.
- Refrigeration rooms, etc.

Principle

Temperature measurement by means of a thermistor. Alarms at temperature according to configured class (Ref. table 1).



Technical specifications	
Weight	400 g
Material	Polycarbonate Macrolon
Colour	Light grey
Sensitivity	Ref. table 1
Voltage	10 - 27 VDC
Current consumption Stand by: External alarm indicator:	< 0,3mA 6mA
Environm. requirement	EN 54-5
Degree of protection	IP56
Working temperature	-30 - +80°C
Max. application	Ref. table 1
Humidity (non condensing)	Max. 95% RH
Maintenance	None
Service	Replace if faulty
CPD certificate	1134-CPD-018
Approvals	See website



Dimensions

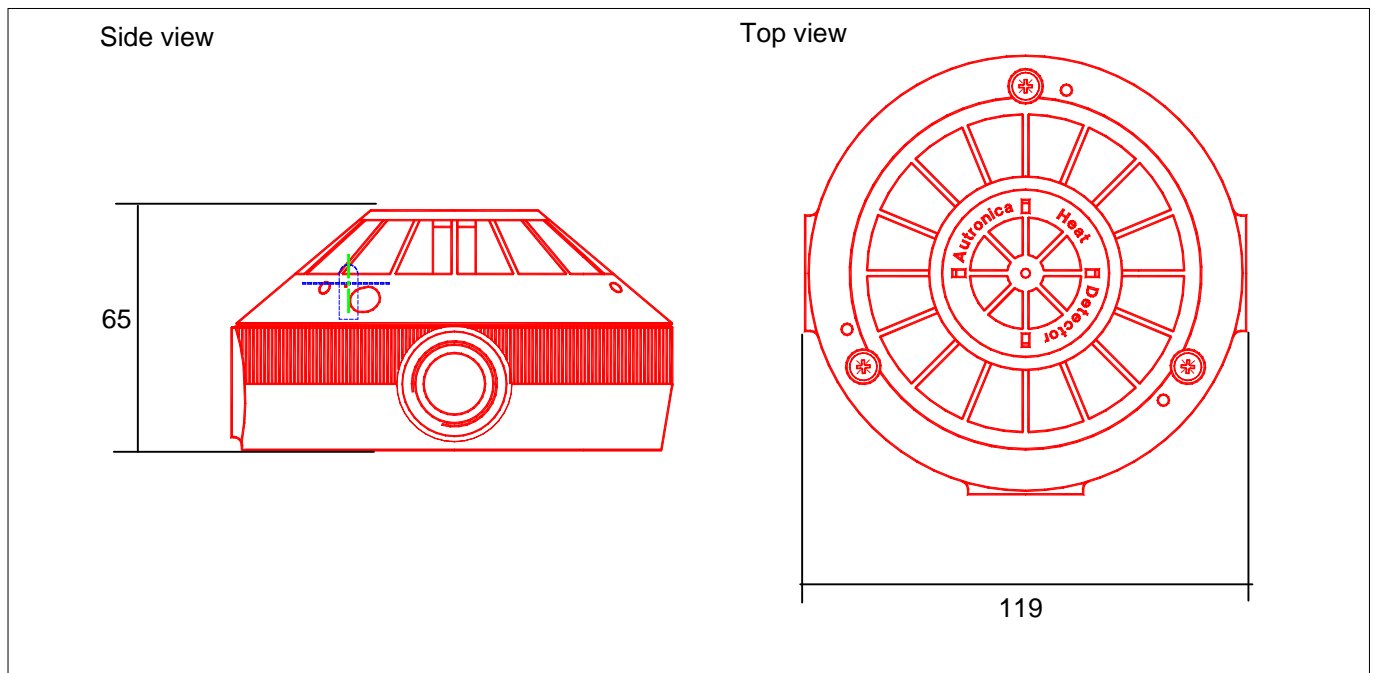


Table 1

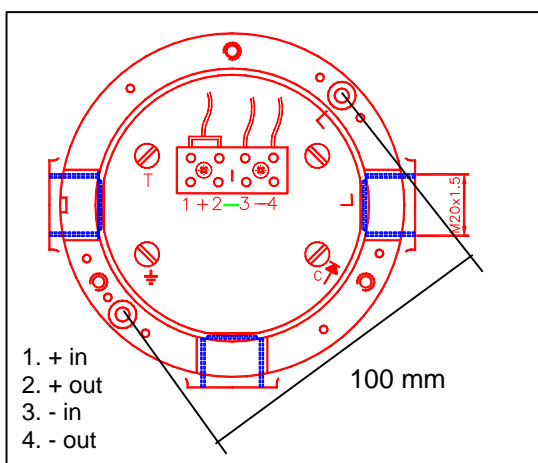
Detector class	Typical application temperature °C	Maximum application temperature °C	Minimum static response temperature °C	Maximum static response temperature °C
A1	25	50	54	65
A1R*	5	50	54	65
A2S*	25	50	54	70
B	40	65	69	85
C	55	80	84	100

* R= Rate of rise.

* S= (Slow) Does not respond below the minimum static response temperature.

Note: The detector may give pre-warning on a temperature below the max. application temperature.

Connections



Part number	Description
116-BD-200M	Detector, complete

AUTRONICA FIRE AND SECURITY AS

Head office, NO-7483 Trondheim, Norway Tel: +47 73 58 25 00, fax: +47 73 58 25 01, e-mail: info@autronicafire.no
 Oil and Gas division, Stavanger, Norway Tel: +47 51 84 09 00, fax: +47 51 84 09 99
 Maritime division, Spikkestad, Norway Tel: +47 31 29 55 00, fax: +47 31 29 55 01

Visit Autronica Fire and Security AS' website: www.autronicafire.com